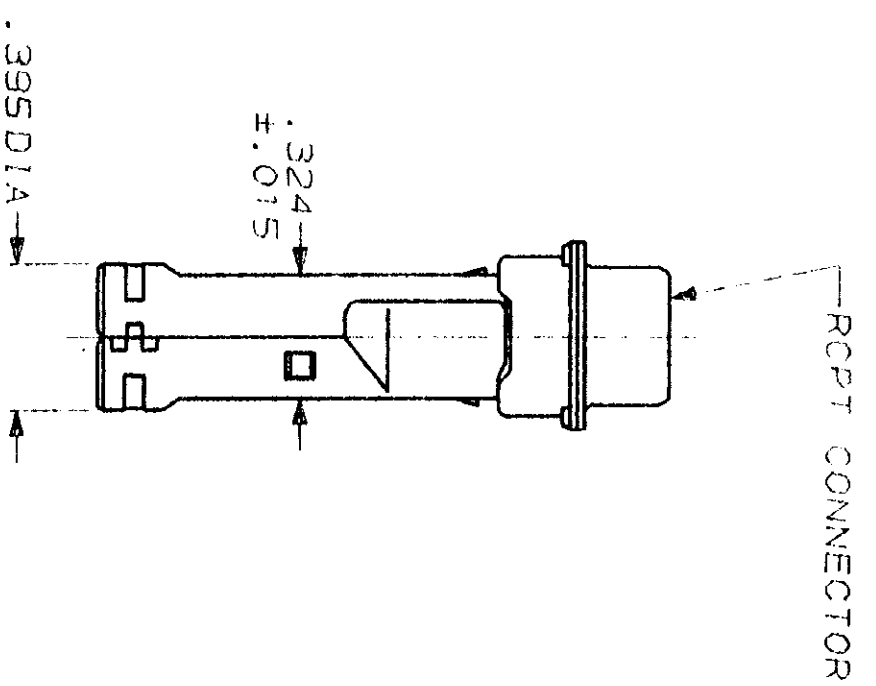
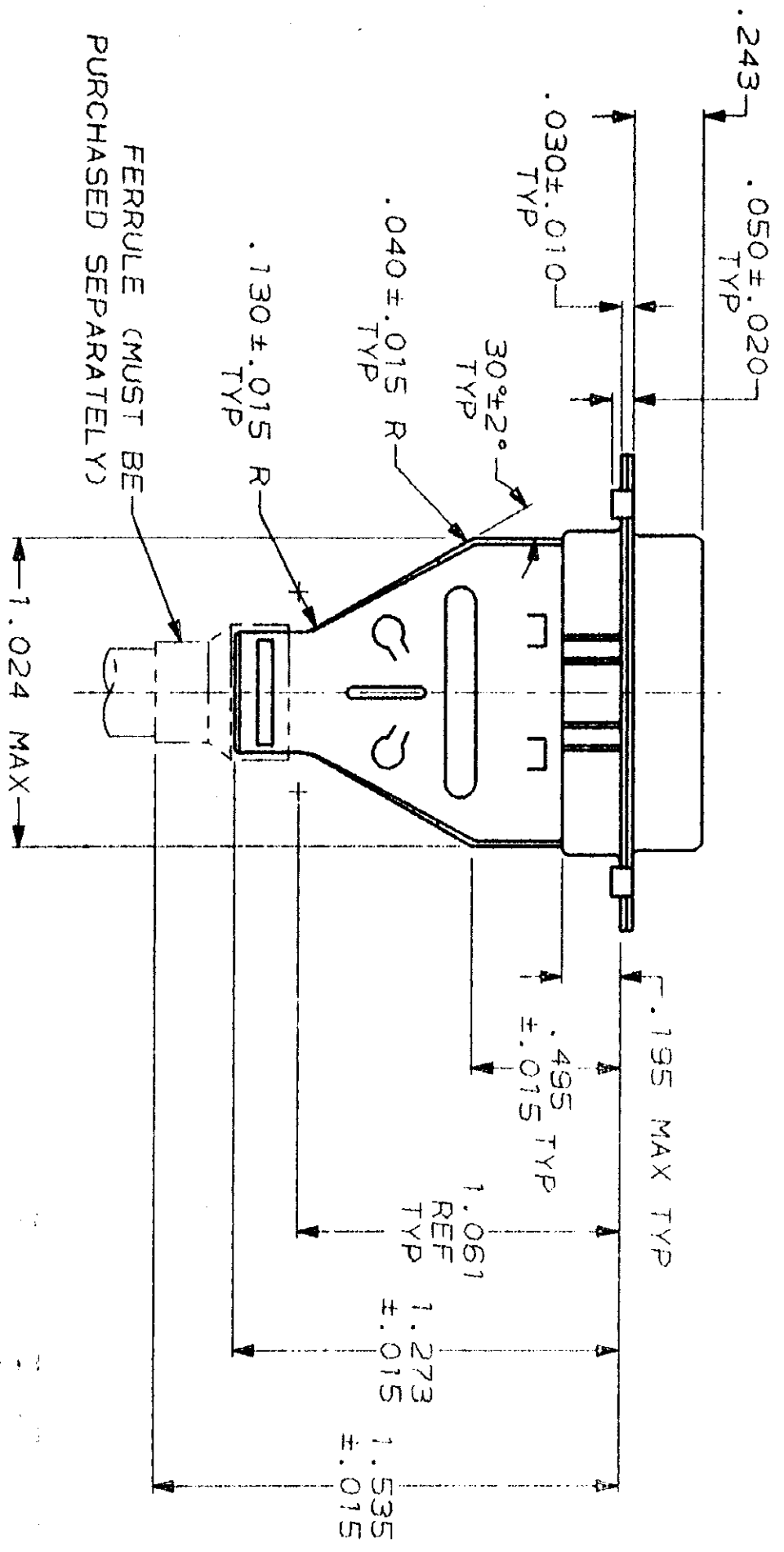
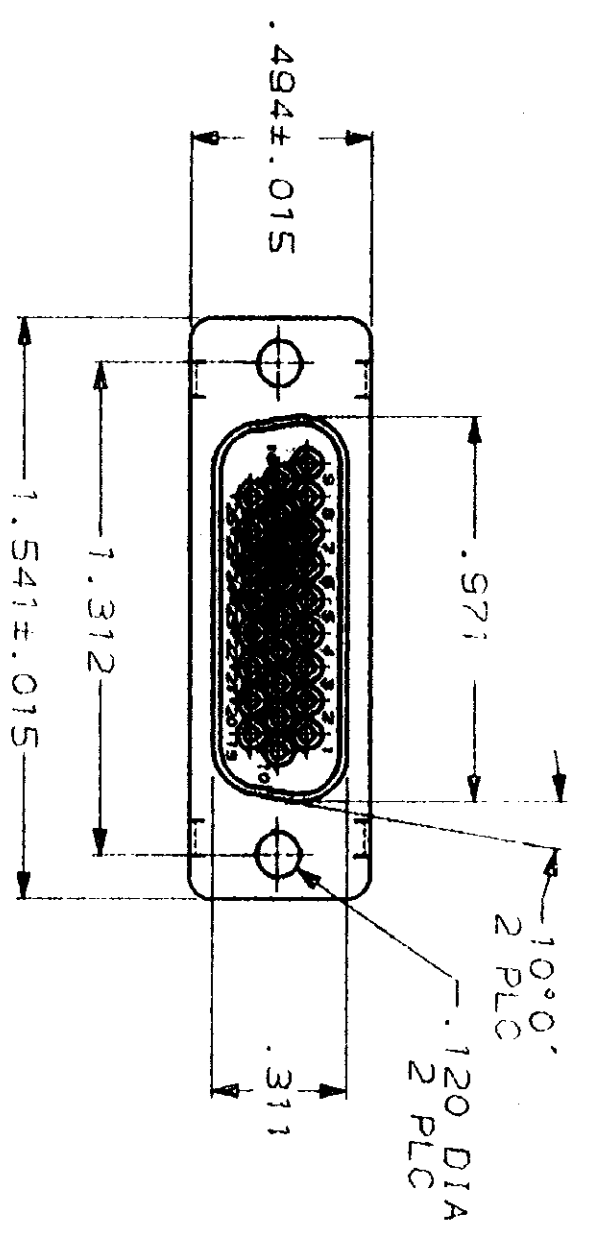


REV	NO	DATE	APPD
2	BD 39	7-3-91	

REV	NO	DATE	APPD
1			

REV	NO	DATE	APPD
1			



1. RCPT ACCEPTS SIZE 22 DF SOCKET CONTACTS (CONTACTS MUST BE ORDERED SEPARATELY).
2. ALL PARTS SHIPPED UNASSEMBLED, EACH PART INDIVIDUALLY BULK PACKED.
3. FLAME RETARDANT 94V-0 RATED, GLASS FILLED NYLON, BLACK.

748635-1
 PART NUMBER

DO NOT SCALE PRINT. UNLESS SPECIFIED DIMENSIONS IN INCHES TOLERANCES ON: 1. DIMENSIONS = .005 2. PLG DEC = .005 3. PLG DEC = .030 ANGLES = 0°30'	DR 7-3-91 R. SHIREY CHK 8-2-91	AMP AMP INCORPORATED MORRISTOWN, PA. 17105
MATERIAL: HOUSING: 3 SHELLS & SHIELDS: PER ASTM A109	APPD: [Signature] 8-2-91	NAME: AMP
FINISH: SHELLS & SHIELDS: TIN PLATED PER MIL-T-10727	APPLICATION SPEC	KIT, RCPT, SHIELDING HARDWARE, SIZE 2, 26 POSN, HDP-22, AMPLIMITE™
SCALE: 2:1	SIZE: C FSCM NO: 00779	DRAWING NO: 748635
WEIGHT: -	SHEET: 1 OF 1	

CUSTOMER DRAWING